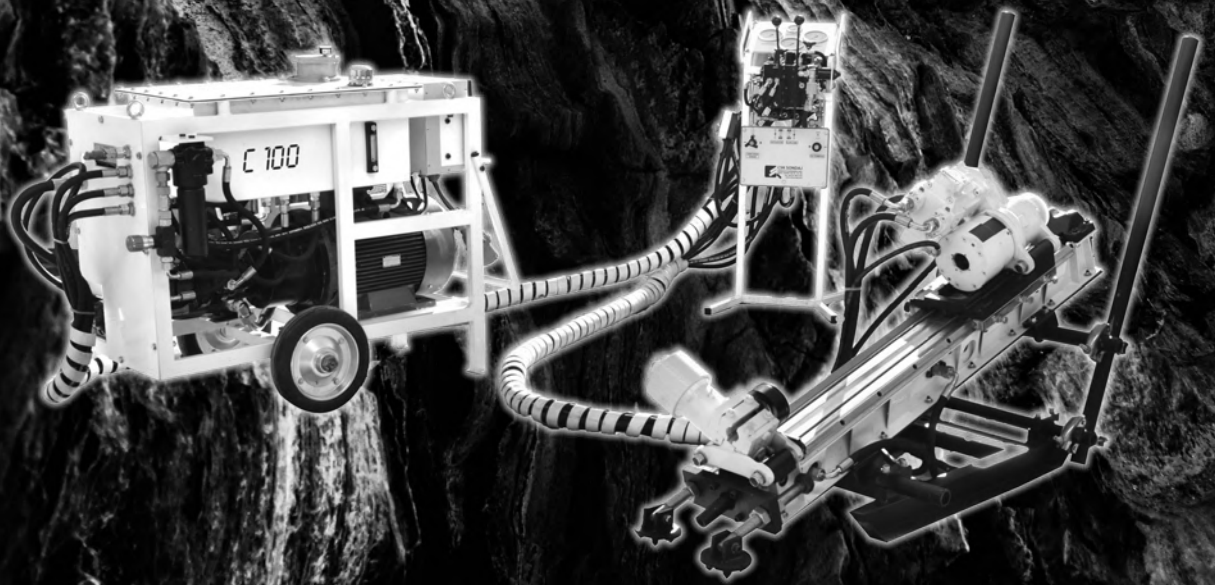


UNDERGROUND DRILL RIG C100

SDS

SOLID DRILLING SOLUTIONS



TECHNICAL OVERVIEW



C100 UNDERGROUND DRILLING RIG



- **MOBILITY** - The C100 Underground Drilling Rig is equipped with a 360-degree drilling mast. Options are available for skid or crawler travel. Also, as an addition to the crawler, it is possible to equip it with a stand-alone diesel engine.
- **RELIABILITY** - Ease of operation and maintenance maximizes plant convenience and efficiency
- **SAFETY** - The C100 Underground Drilling Rig is designed for long-term operations, taking into account the prevention of possible safety risks.



C100 UNDERGROUND DRILLING RIG



CONTROL PANEL - FUNCTIONAL PANEL DESIGN, PROVIDES EASY OPERATION.

HYDRAULIC DESIGN - LOAD-SENSITIVE HYDRAULIC SYSTEM SUPPORTS ENERGY SAVING.

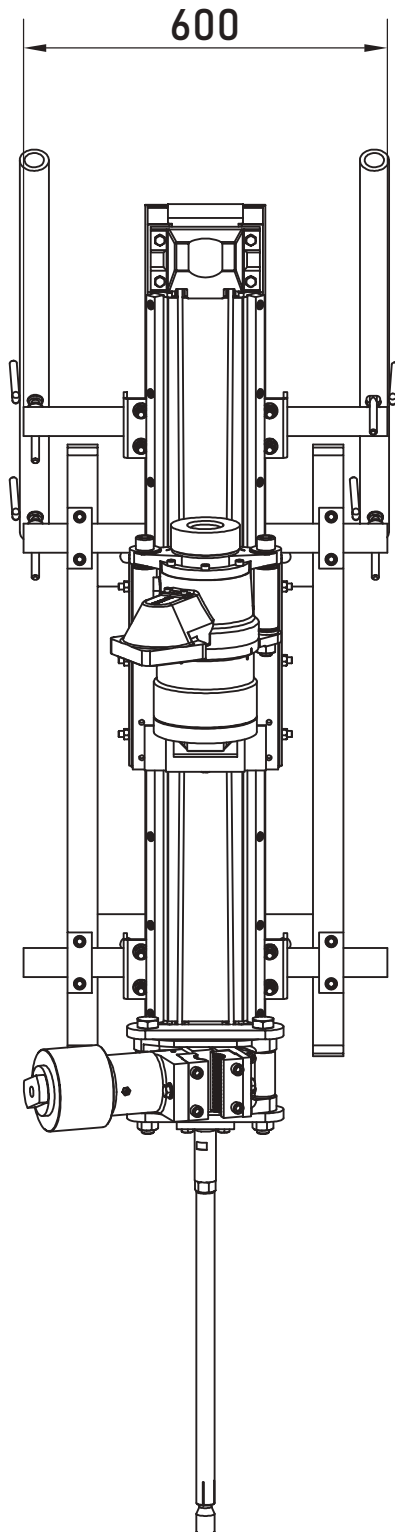
MAST - 360° DRILLING CAPABILITY IN ANY PART OF THE MINE WORKINGS.

SYNCHRONIZATION - THE PIPE HOLDER AND ROTATOR WORK SYNCHRONOUSLY THANKS TO THE VALVE BLOCK DESIGN. THIS FEATURE ENSURES FAST AND SAFE DRILLING.



ROTATION UNIT - THE FUNCTIONAL DESIGN OF THE ROTATOR ALLOWS WORKING WITH DIAMETERS FROM B TO N

CATERPILLAR BASE - WITH OPTION TO DRIVE INDEPENDENT DIESEL ENGINE TO POWER THE TRACK YOU GET MORE FREEDOM OF MOVEMENT IN UNDERGROUND CONDITIONS.



DRILLING RECOMMENDATIONS

DRILLING DEPTH AOWL (MAX.)	120M
DRILLING DEPTH AWL (MAX.)	120M

CSK CANNOT GUARANTEE THAT THE INDICATED DEPTHS WILL BE REACHED IN ALL DRILLING CONDITIONS DUE TO VARIOUS FACTORS, SUCH AS THE SUBMERSIBLE DRILLING TECHNOLOGY USED, GROUND CONDITIONS, AND OPERATING CONDITIONS.

MAIN PUMPS	DANFOSS OR ANALOG.
SERVICE PUMP	DANFOSS, SALAMI, GALTECH
ROTATION UNIT MOTOR	REXROTH OR ANALOG.
ROTATION SPEED	500-2000 RPM
MAX. TORQUE	260Nm
MIN. FEED RATE	0,8 m/sec.
MAX. FEED RATE	1 m/sec.
FEEDING FORCE	20kN
LIFT FORCE	15kN
MAX. TUBE DIAMETER	50MM
HOLDING FORCE	12kN
OIL TANK	85l
THE COOLER	WATER COOLING
FUEL TANK (OPTIONAL)	50l



TECHNICAL INFORMATION C100

DEMENSIONS AND WEIGHT

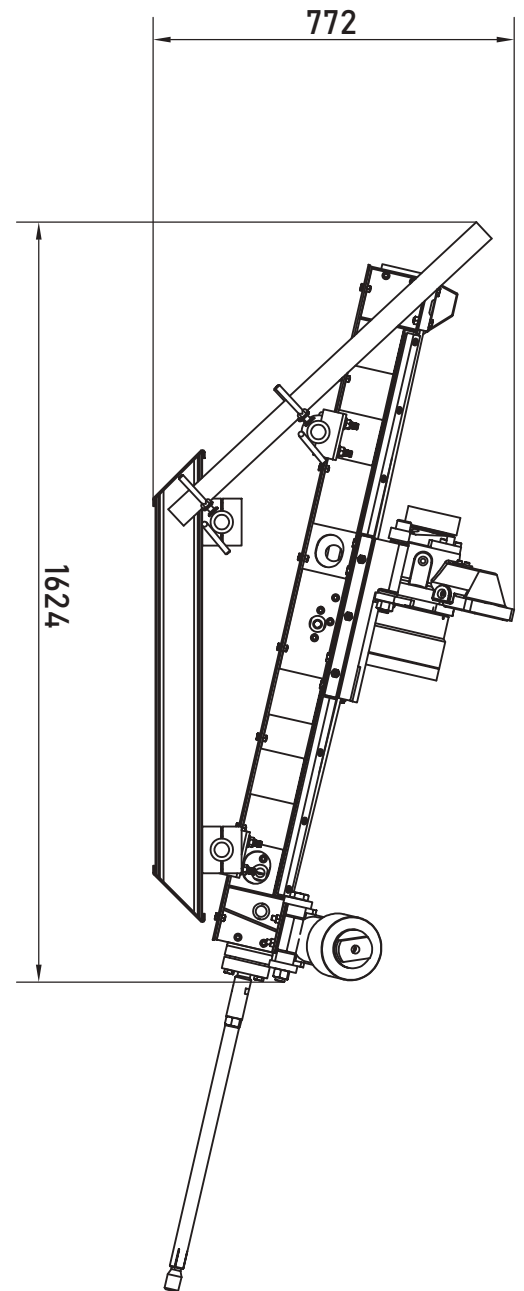
POWER SUPPLY	550x1200x1100MM 250kg
SKI FRAME *	600x1630x1000MM 250kg
CONTROL PANEL	490x500x1200MM 100kg
OVERALL. MAST LONG	1600MM
MAST LONG	1510MM
FEEDING LONG	850MM

*OPTIONAL (TRACK, WHEELS)

OPTIONAL ACCESSORIES AND EQUIPMENT

MUD PUMP - THREE-PHASE

POWER	HYDRAULIC	DISEL OR ELECTRIC
TRANSMISSION	HYDROMOTOR	
FLOW RATE	80 l/min	
MAX. PRESSURE	50 bar	
EXPLOSION-PROOF ATEX MOTOR		





SDS

SOLID DRILLING SOLUTIONS

OUR BRANCHES

BRANCH IN KAZAKHSTAN
SOLID DRILLING SOLUTIONS - QAZAQSTAN",
050059, AL-FARABI AVE. 7 NURLY TAU BUSINESS
CENTER 5A, OFFICE. 171
PHONE: +7 727 225 00 04
EMAIL: INFO@SOLIDDRILLING.KZ

HEAD OFFICE IN TURKEY
SDS MÜŞAVIRLIK MÜHENDISLIK İMALAT İTH.
İHR. SAN. VE TİC. LTD. ŞTİ.
GOLDEN TOWER, MEHMET AKIF ERSOY MAH.
287. SOK. NO:7 /50 KAT:9 06200
YENİMAHALLE ANKARA / TURKEY
PHONE: +90 312 354 83 27
FAX: +90 312 354 83 27
E-MAIL: INFO@SOLIDDRILLING.COM

BRANCH OFFICE IN RUSSIA
SOLID DRILLING SOLUTIONS - RUSSIA", 109428,
RUSSIA, MOSCOW, UL.
RYAZANSKY PROSPEKT 8A,
BLDG. 1, OFFICE 422.
PHONE: +7 925 800 08 52
EMAIL: INFO@SOLIDDRILLING.RU

www.soliddrilling.com